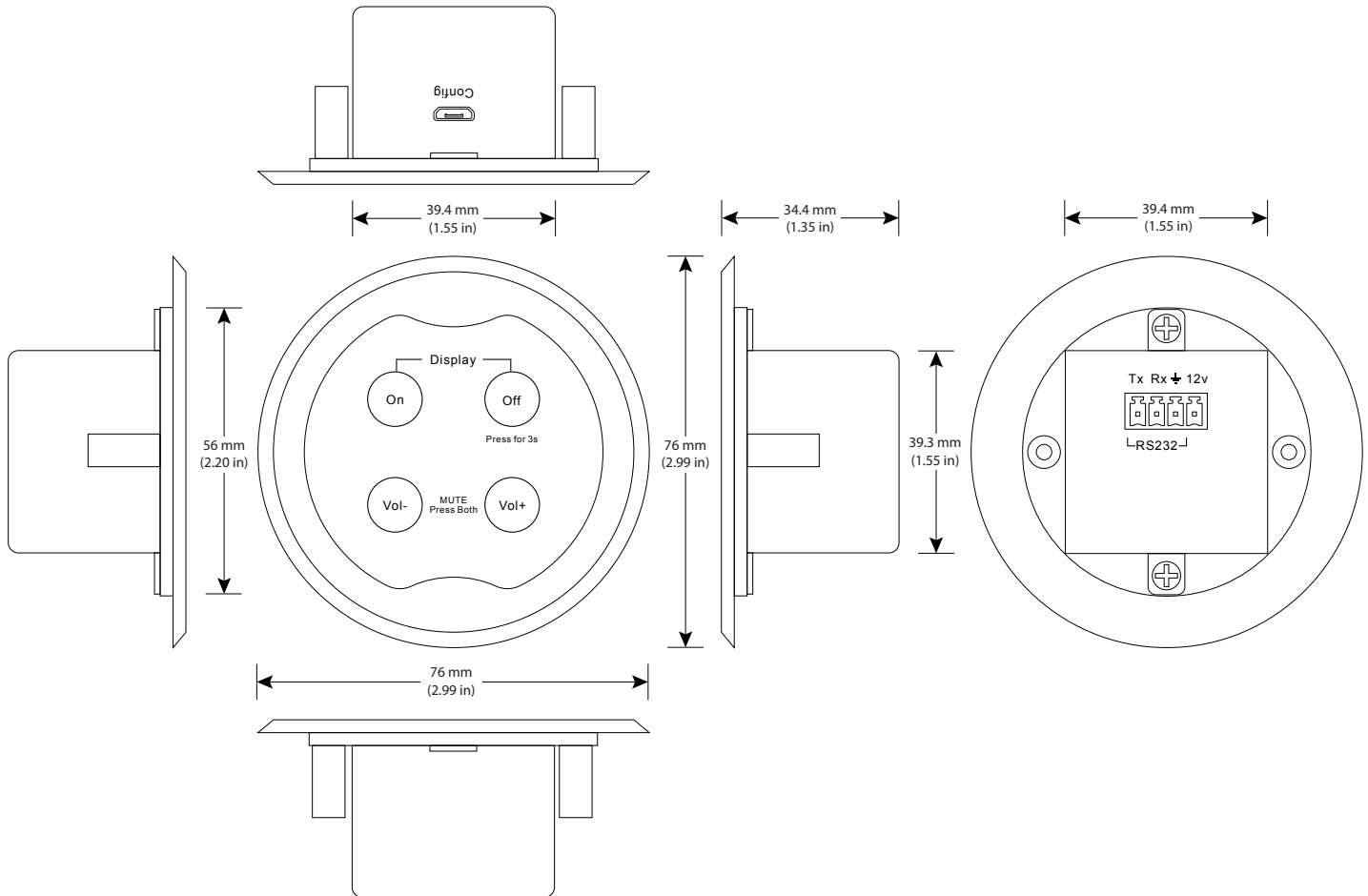


**Technical Specifications**

# TL-SMG-4C

*Four Button Control Share-Me™ Grommet Insert*


## General Specifications

Surface Control Interface	Two (2) membrane switches
Under Table Connection	One (1) 4-pin removable terminal block
Config Port	One (1) micro USB type B receptacle
Surface Dimensions	76mm (2.99 in) diameter; 2.8mm (0.11 in) tall
Hole Insert Dimensions	56mm (2.20 in) diameter; 31.6 mm (1.24 in) deep
Supported Baud Rates	2400, 4800, 9600 (default), 19200, 38400, 57600, 115200
Warranty	3 years